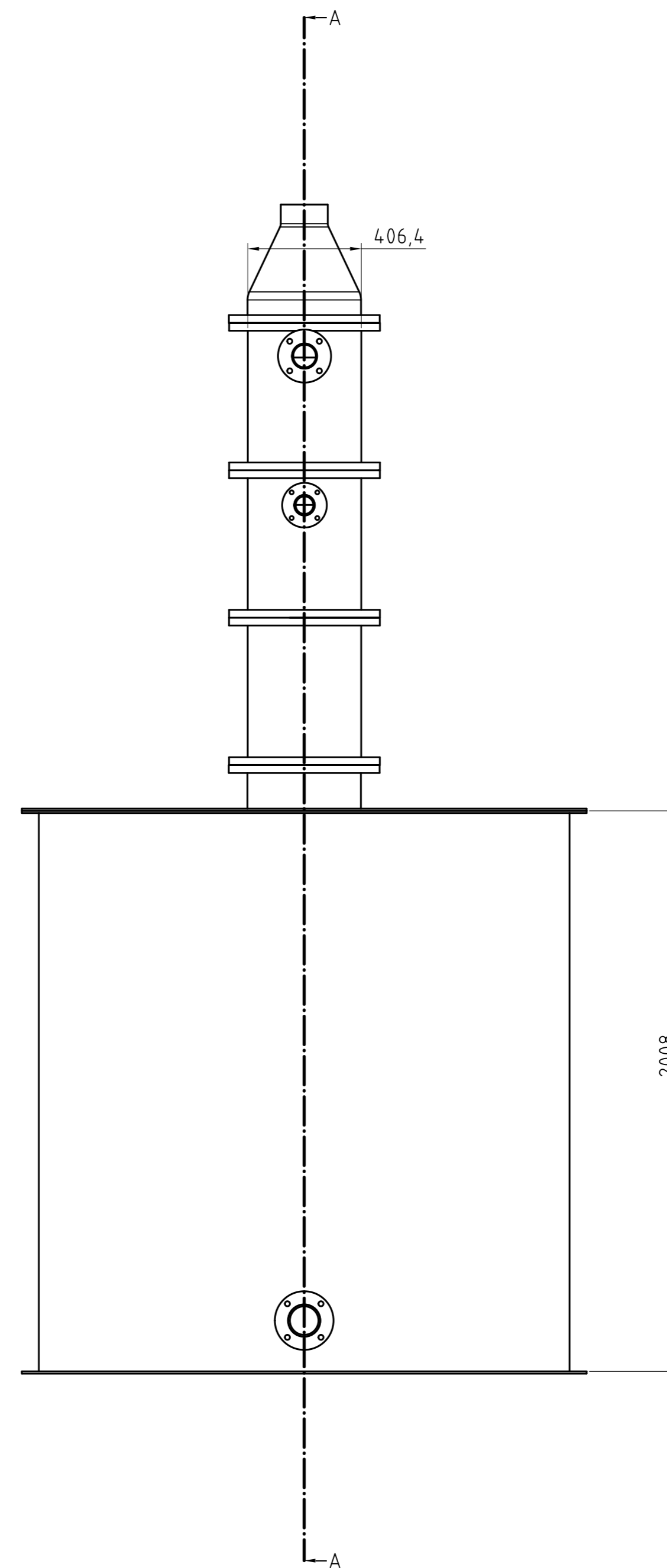


SECTION A - A



The Sugar Engineers  
 www.sugartech.co.za  
 5 Firtree Lodge, St. Aidan's Ave  
 Grahamstown, 6139  
 Eastern Cape  
 South Africa  
 +27 466 228 623

UNLESS OTHERWISE SPECIFIED: DIMENSIONS ARE IN MM	DRAWN	NAME	SIGNATURE	DATE
	CHECKED			
	APPROVED	W JAYES		
	DO NOT SCALE DRAWING BREAK ALL SHARP EDGES AND REMOVE BURRS			
FIRST ANGLE PROJECTION	MATERIAL	FINISH		

Sulphitation vessel			
TITLE			
SIZE	DWG NO.	REV.	
A1	----	-	
SCALE	WEIGHT	SHEET	1 of 1