

12

11

10

9

8

7

6

5

4

3

2

1

H

H

G

G

F

F

E

E

D

D

C

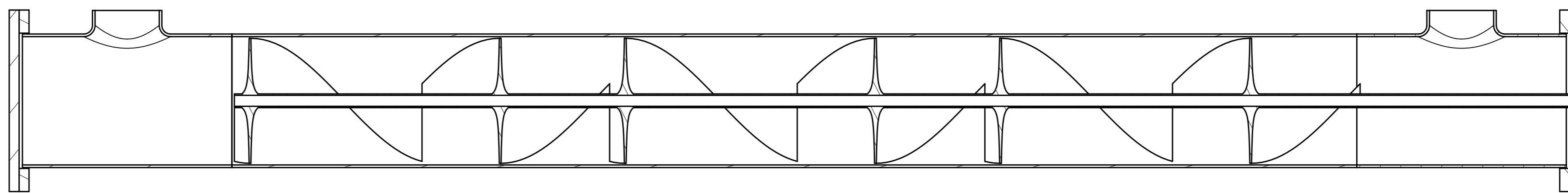
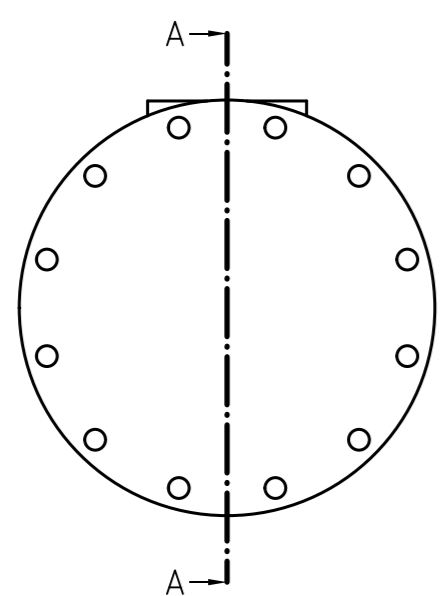
C

B

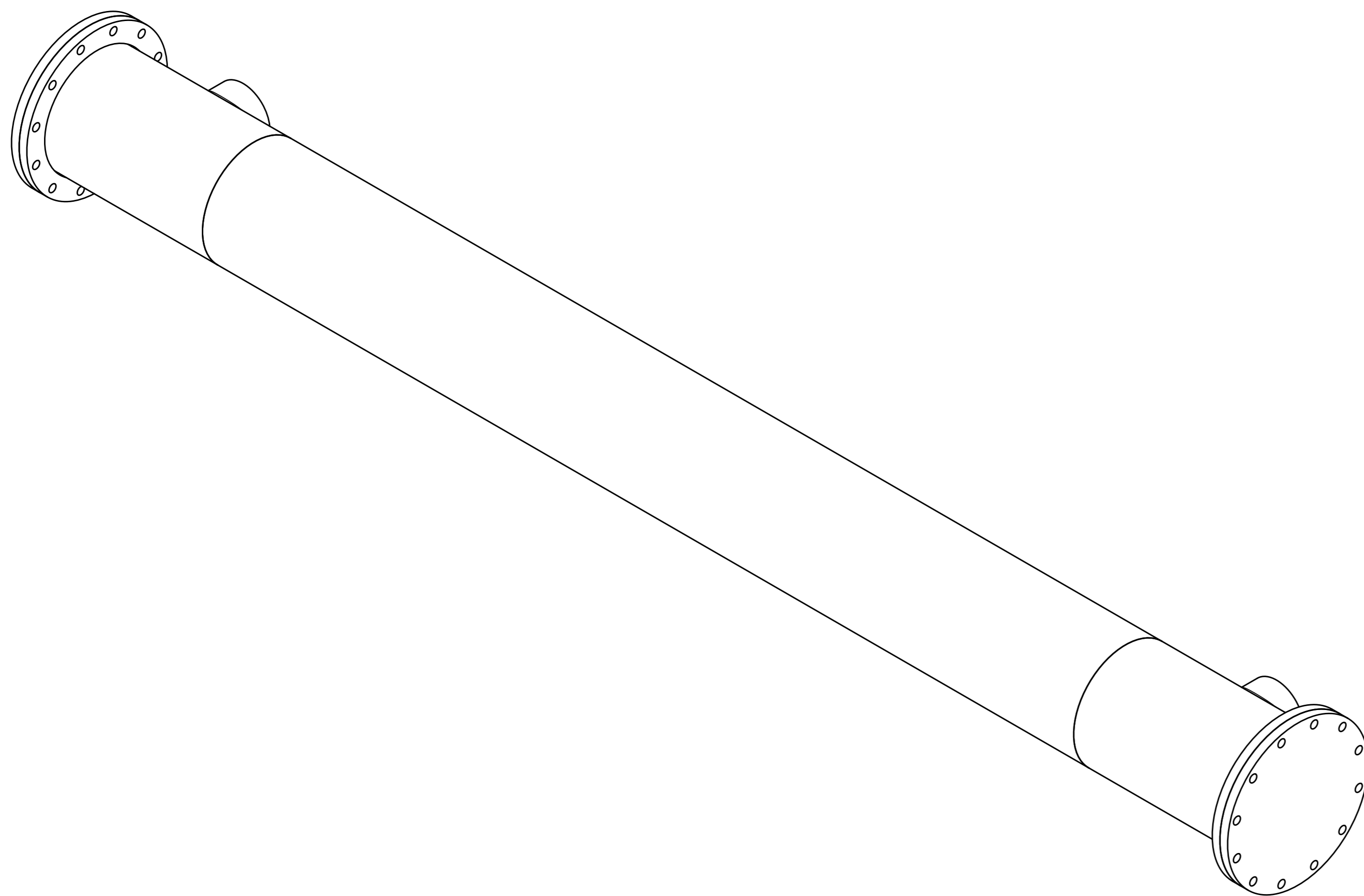
B

A

A



SECTION A - A



The Sugar Engineers
 www.sugartech.co.za
 5 Firtree Lodge, St. Aidan's Ave
 Grahamstown, 6139
 Eastern Cape
 South Africa
 +27 466 228 623

UNLESS OTHERWISE SPECIFIED: DIMENSIONS ARE IN MM		NAME	SIGNATURE	DATE
DRAWN				
CHECKED				
APPROVED	W JAYES			
SURFACE FINISH $\sqrt{\hspace{1cm}}$				
ANGULAR $\frac{\circ}{16}$ FRACTIONAL $\frac{\circ}{16}$				
DO NOT SCALE DRAWING				
BREAK ALL SHARP EDGES AND REMOVE BURRS				
FIRST ANGLE PROJECTION		MATERIAL	FINISH	

Assembly			
TITLE			

SIZE	DWG NO.	REV.	
A1	1600-0999	A	
SCALE	WEIGHT	SHEET	1 of 1