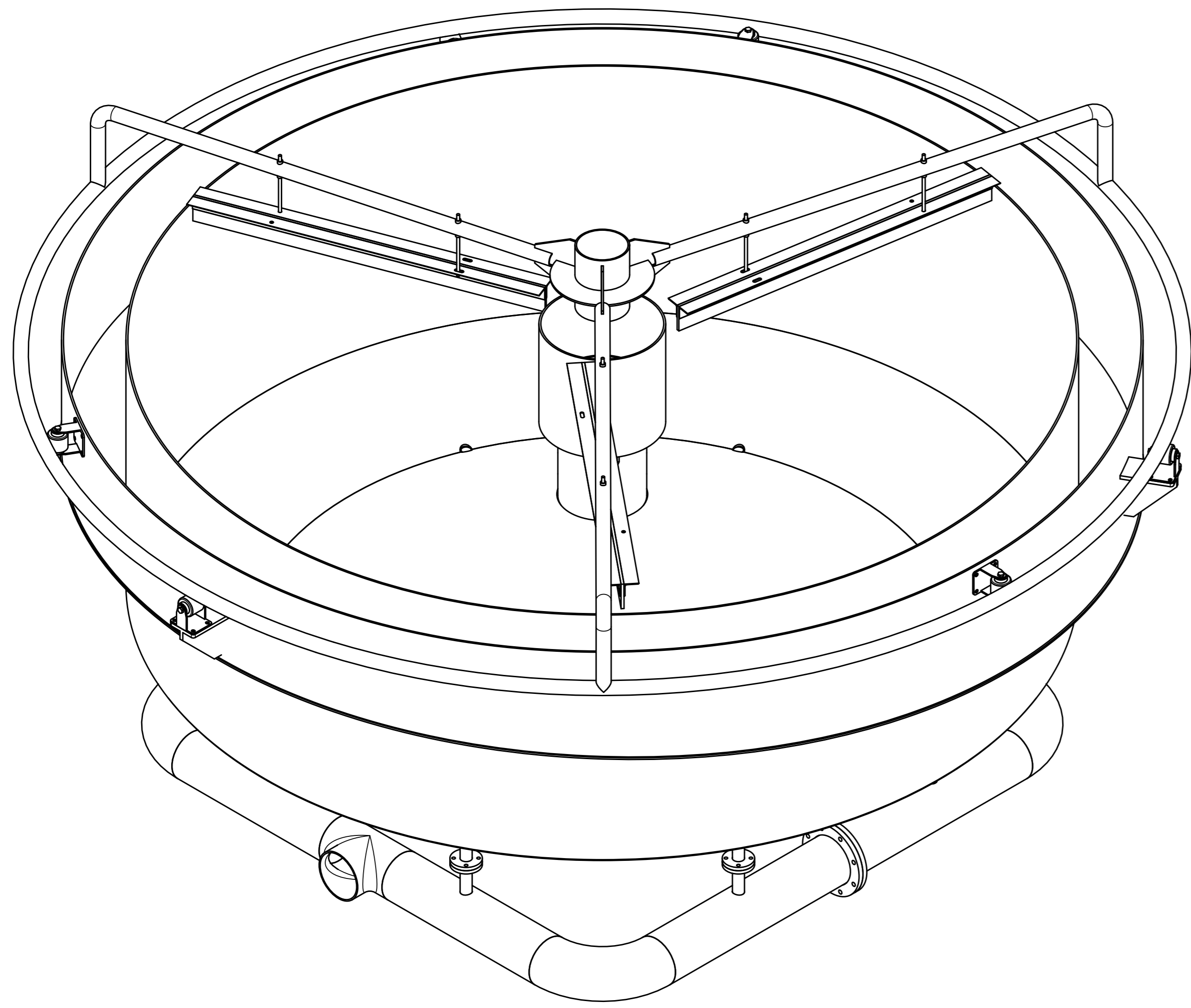
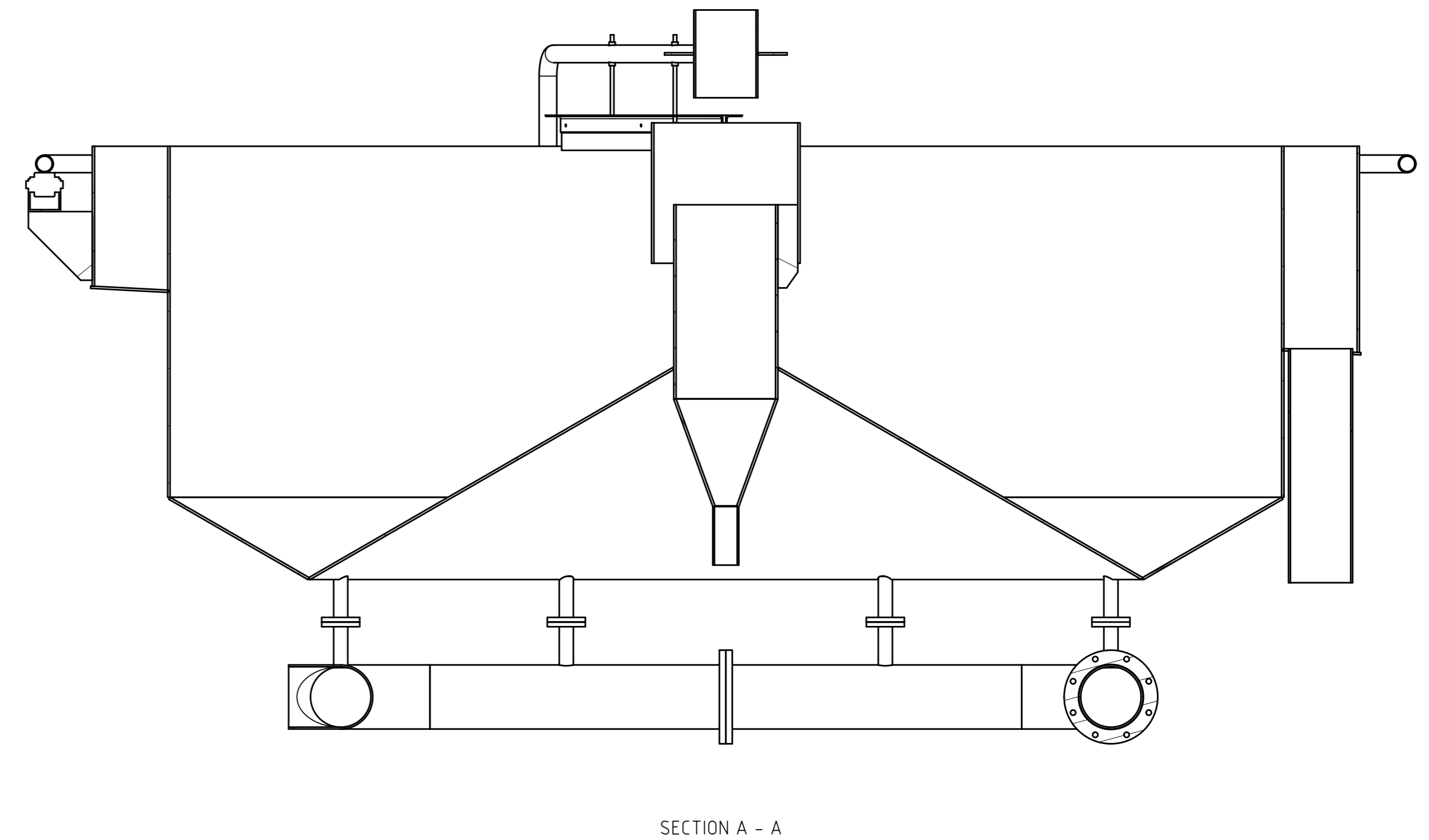
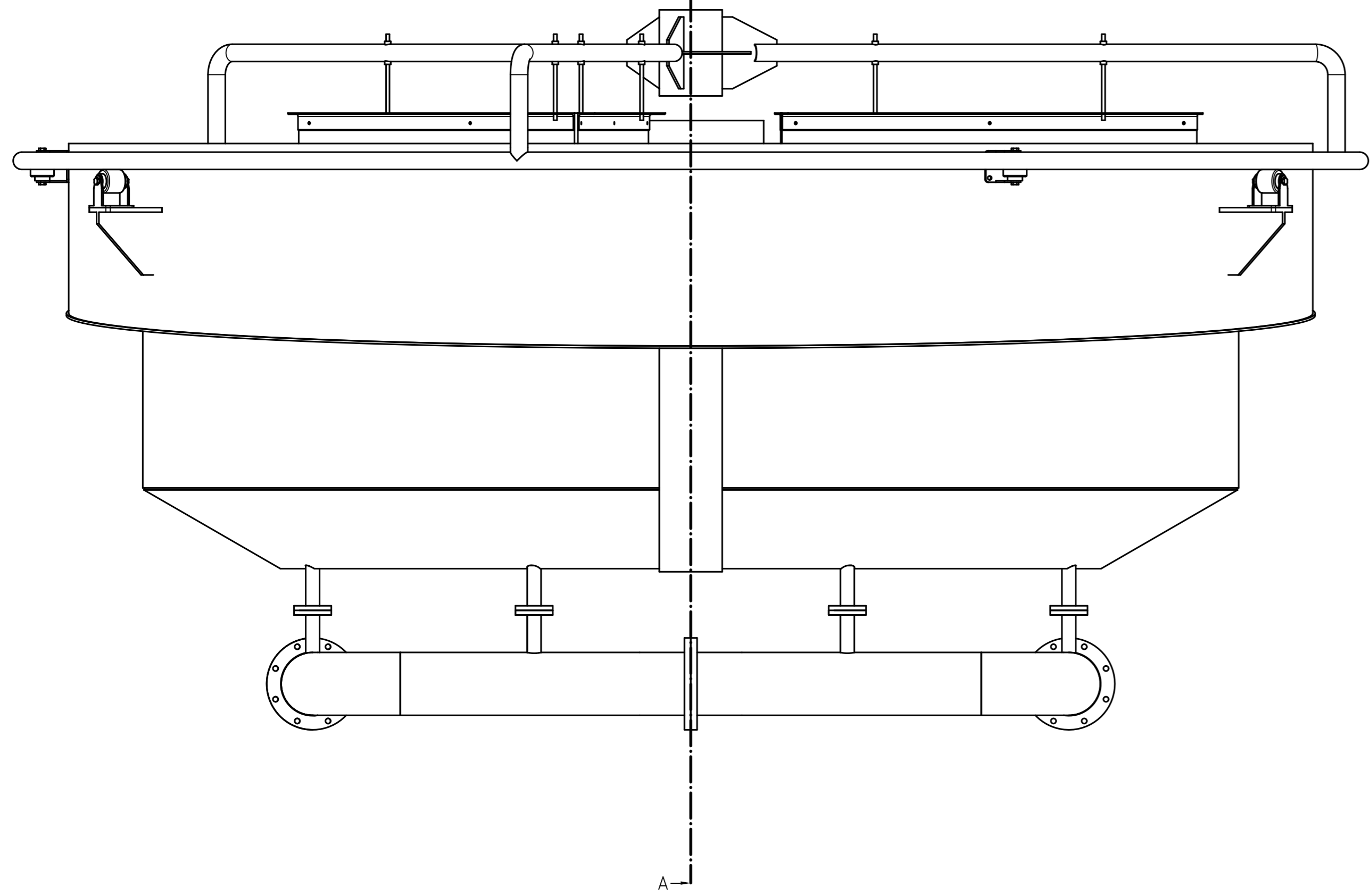


12 11 10 9 8 7 6 5 4 3 2 1

H
G
F
E
D
C
B
A

H
G
F
E
D
C
B
A



SECTION A - A

| | | | | | | | | |
|---|---|-------------------|----------------------|----------|-----------|---------|-------|--|
| <p>The Sugar Engineers www.sugartech.co.za 5 Firtree Lodge, St. Aidan's Ave Grahamstown, 6139 Eastern Cape South Africa +27 466 228 623</p> | UNLESS OTHERWISE SPECIFIED: DIMENSIONS ARE IN MM | | | NAME | SIGNATURE | DATE | Assy | |
| | SURFACE FINISH \checkmark | ANGULAR $\pm \pm$ | FRACTIONAL $\pm \pm$ | DRAWN | | | TITLE | |
| | DO NOT SCALE DRAWING | | | CHECKED | | | --- | |
| | BREAK ALL SHARP EDGES AND REMOVE BURRS | | | APPROVED | W JAYES | | --- | |
| FIRST ANGLE PROJECTION | MATERIAL | FINISH | | SIZE | | DWG NO. | REV. | |
| | | | | A1 | 1600-0999 | | - | |
| | SCALE | WEIGHT | SHEET | 1 of 1 | | | | |

12 11 10 9 8 7 6 5 4 3 2 1