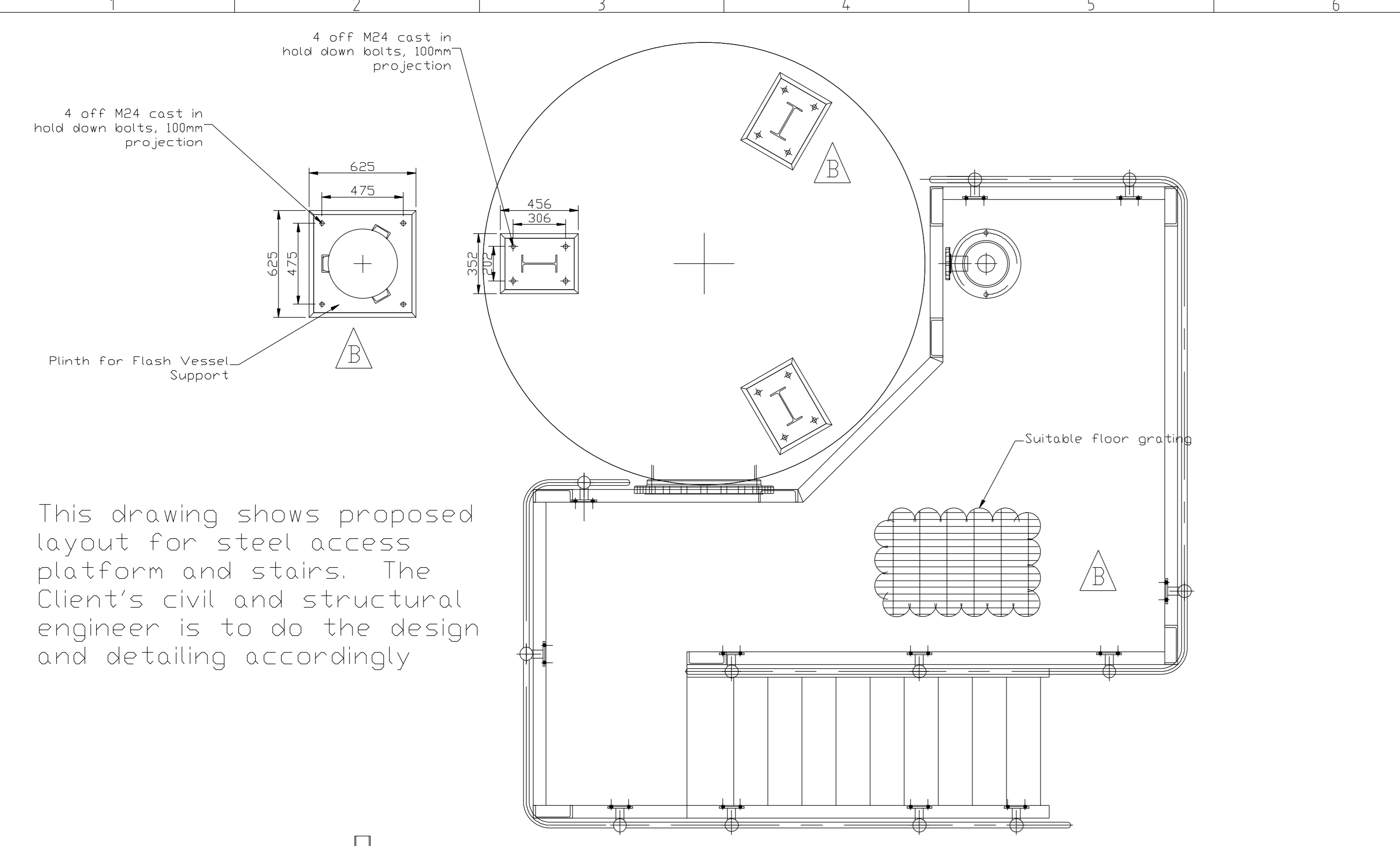
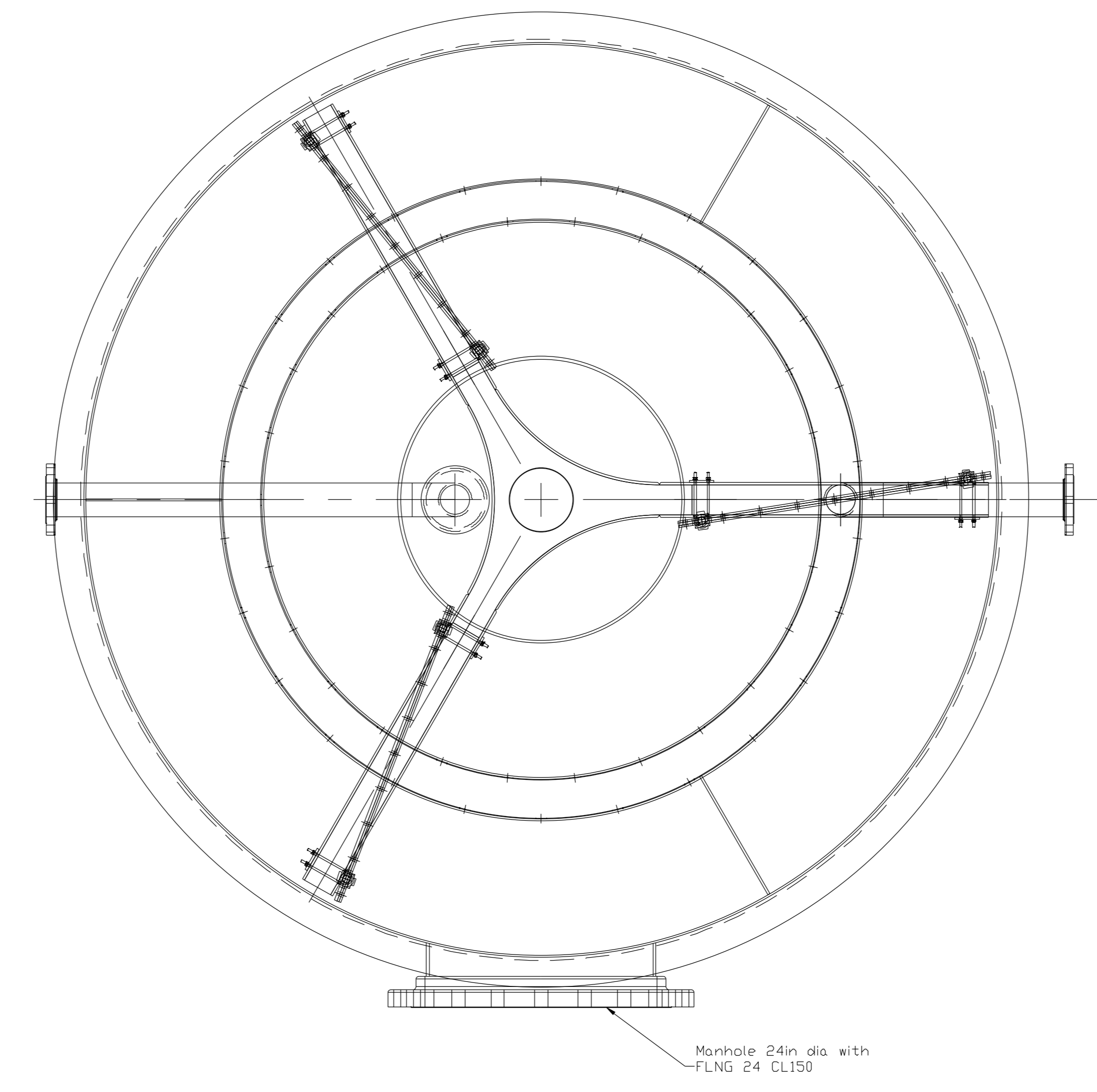
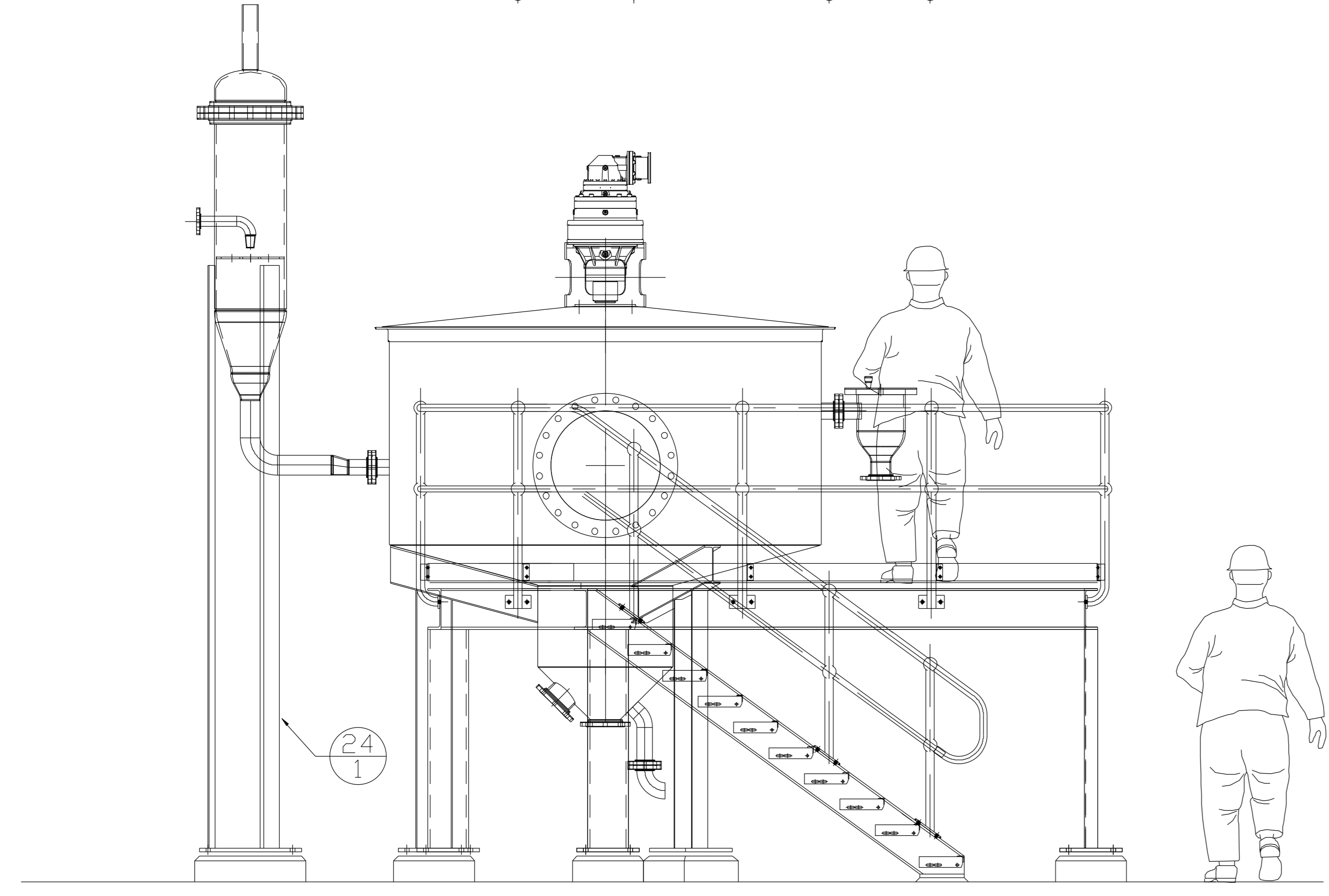
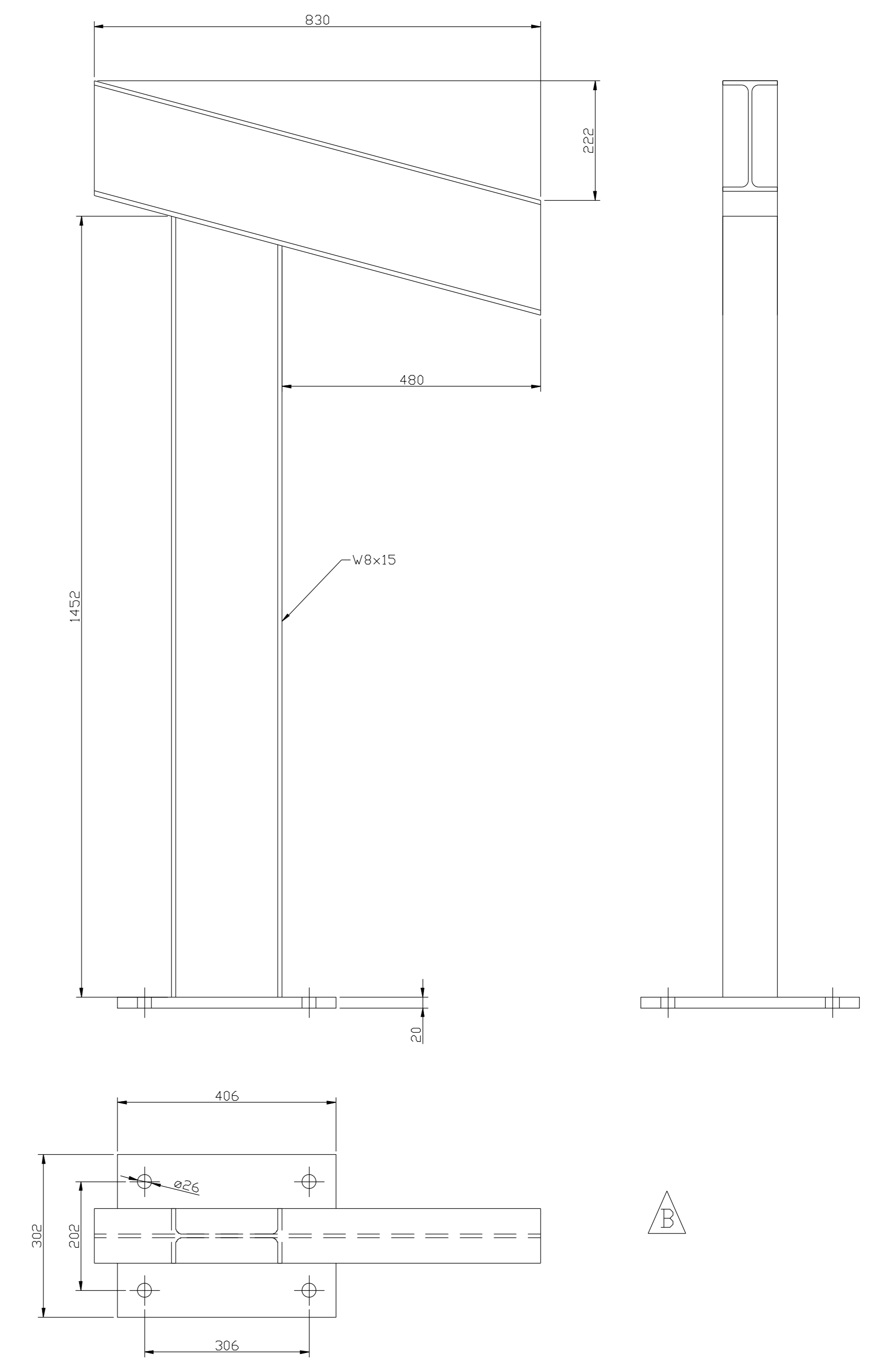
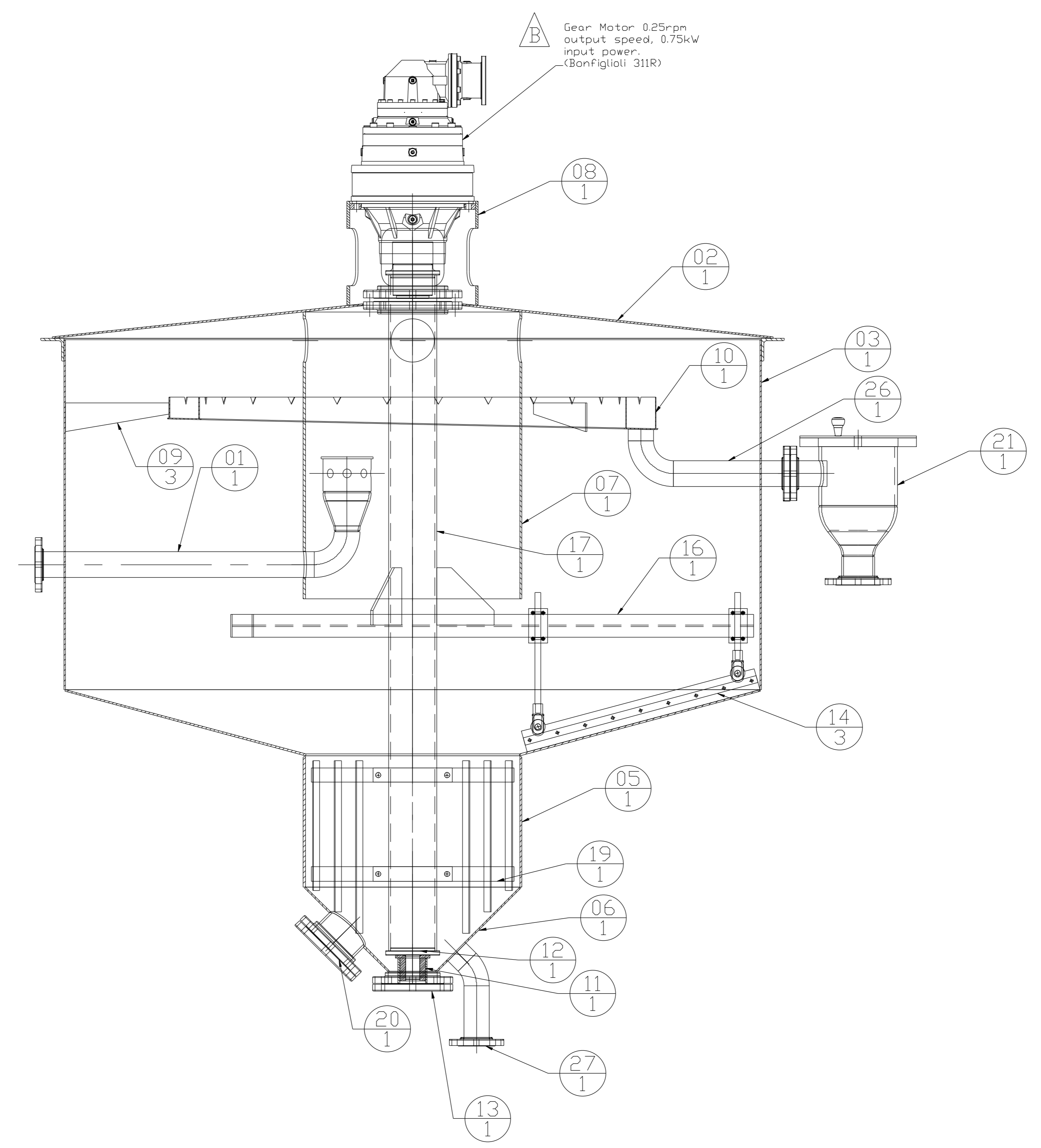


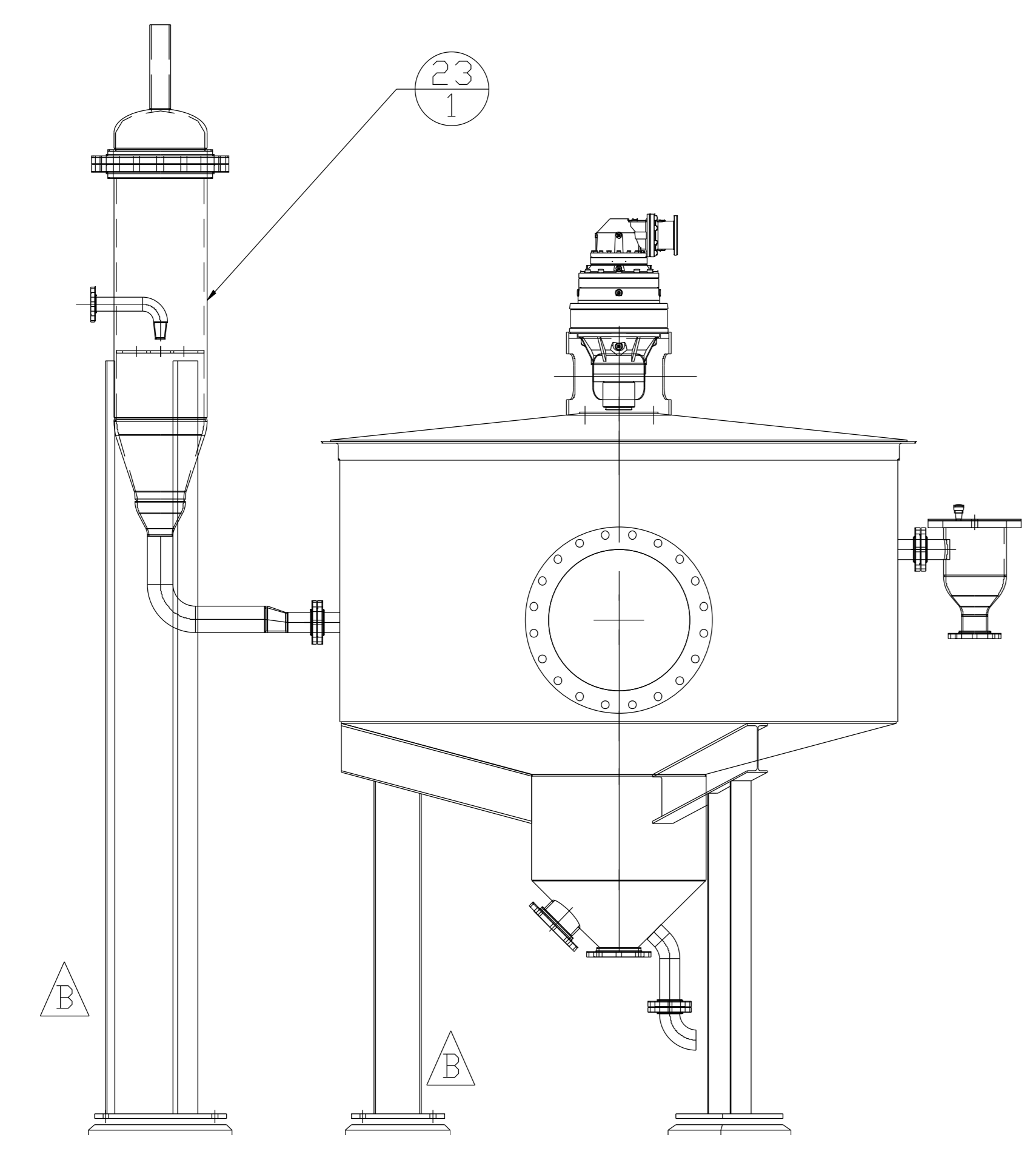
RevNo	Revision note	Date	Signature	Checked
B	Flash Vsl and Clarifier Support modified	30-8-13		
B	Gearmotor Spec added	30-8-13		



This drawing shows proposed layout for steel access platform and stairs. The Client's civil and structural engineer is to do the design and detailing accordingly



Plan view of Clarifier (roof cone not shown)



Sectional view of support structure showing nozzle rotated 45° anti clockwise (looking from the top). Handrailing required, but not shown

- NOTES:
1. All Pipe ASTM A106 Gr B
  2. All steel plate and sections to EN10025 S275JR
  3. All steel shafts and pins to BS970 080M40 or equivalent
  4. All fillet welds are 6mm UDN
  5. All groove welds are full penetration UDN
  6. All parts made of PLATE 6mm THK UDN
  7. Fully welded with 6mm fillet welds.
  8. All Bolting Gr 8.8 galv

Sugar Engineers		Itemref	Quantity	Title/Name, designation, material, dimension etc		Article No /Reference	
www.sugartech.co.za		Designed by		Checked by	Approved by - date	Filename	Date
w.jayes@sugartech.co.za						1301-01.08	27-08-13
5 Fir tree Lodge						Clarifier - GA	
St Aidan's Ave, Grahamstown						ITS No	Sheet
South Africa						A	A04